

LOCAL EXTRACTOR



TEX-AA

Telescopic local extractor for extraction of fumes from atomic absorption processes

The TEX-AA is specially designed to take care of polluted air at a high temperature e.g. from an atomic absorption unit. The hood and all components that risks to come in contact with the flame are made from 316 L stainless steel and the sliding lining is made from PTFE temperature resistant to 300 °C.

TEX-AA extractor is designed for wall or ceiling installation and has 180° swing motion and 440 mm telescopic function.

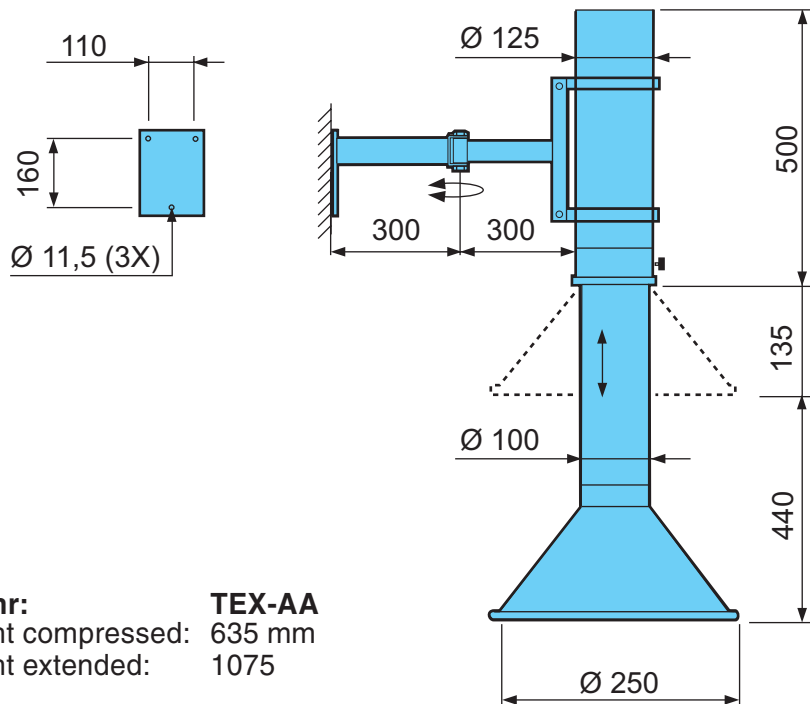
The extractor is made in stainless steel 316 L with white powder coated mild steel supporting brackets.

The telescopic movement is created by two sliding rings made of teflon for heat resists and a locking device to assure that the hood stays in the intended vertical position.

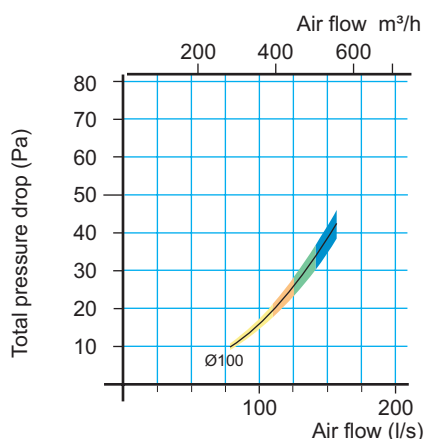
Fumex also offers a range of fans, accessories and automatic control devices for our local extractors.

LOCAL EXTRACTOR

Pure advantage



Part.nr: TEX-AA
Lenght compressed: 635 mm
Lenght extended: 1075



To avoid damage and other inconveniences on material further down the airstream it is recommended to extract a proportionately big volume of room air to reduce the temperature of the extracted air.

Example - Air from the atomic absorption unit 10 l/s at 1000°C
 - Room air 70 l/s at 20°C
 - Mixed air (extracted air) 80 l/s at ~100°C

Tube and hood

Made of stainless steel 316 L, supporting bracket in white powder coated mild steel.

Sliding lining

Material: PTFE, adjustable friction.

Delivery

For easy installation, the arm is delivered fully assembled. Wall bracket model is standard. The ceiling brackets are optional as shown on accessories brochure.

Sliding lining

Temperature range -30°C to +300°C

Other information

Surface treatment of mild steel components White powder coating
 Weight 8 kg